

# DUCTFIX

## WIRING DUCT RIVETS

### Material

Polyamide 6

### Color

R4 - BLUE

R6N - NATURAL

R6O - ORANGE



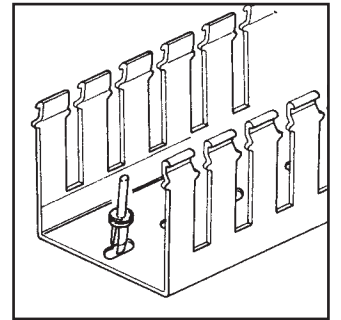
Catalog Number	Pieces per Carton
R4	250
R6N	250
R6O	250

### DUCTFIX

- Installs quick and easy using the B4 or B6 rivet tool.
- Can be used to install all types of wiring duct with standard mounting holes.
- Hole size R4 - 5/32" (4 mm) – R6 - 7/32" (5.5 mm)

### MAIN FEATURES

- Elastic Vibration - dampening head
- Good temperature resistance
- Excellent mechanic properties
- Extremely short installation time
- Insulating - Functional - Easy To Apply
- R4 - use B4 or RT4 tool
- R6N - use B6 tool
- R6O - use RT6 tool



# B4-B6 RT4 - RT6

## RIVET TOOLS

### Color

B4 - RED

RT4 - BLUE

B6 - YELLOW

RT6 - ORANGE

Catalog Number	Pieces per Carton
B4*	1
B6*	1
RT4**	1
RT6**	1

\* All plastic

\*\* All metallic - note different rivets for RT6

Functional and sturdy



# ZP1-ZP2

## MOUNTING INSERTS CABLE ATTACHMENTS

### Material

Polyamide 6

### Color

WHITE

Catalog Number	Pieces per Carton
ZP1	100
ZP2	50

With a simple quarter turn ZP2 can be mounted inside duct. By stacking, mounting levels at different heights are achieved. For tightening a wire bundle inside duct, pass a cable tie through ZP2.

With a simple quarter turn, ZP1 is used to mount components and SEP-E separators inside duct. Also ZP1 can be used to mount smaller sizes of duct inside larger sizes, thus achieving separation of circuits with different voltages and/or functions.

